

## Supplementary Material

# ***A Potentiometric Sensor for pH Monitoring with an Integrated Electrochromic Readout on Paper***

*Edith Chow,<sup>a\*</sup> Devi D. Liana,<sup>a,b</sup> Burkhard Raguse,<sup>a</sup> and J. Justin Gooding<sup>b,c</sup>*

<sup>a</sup>CSIRO Manufacturing, PO Box 218, Lindfield, NSW 2070, Australia

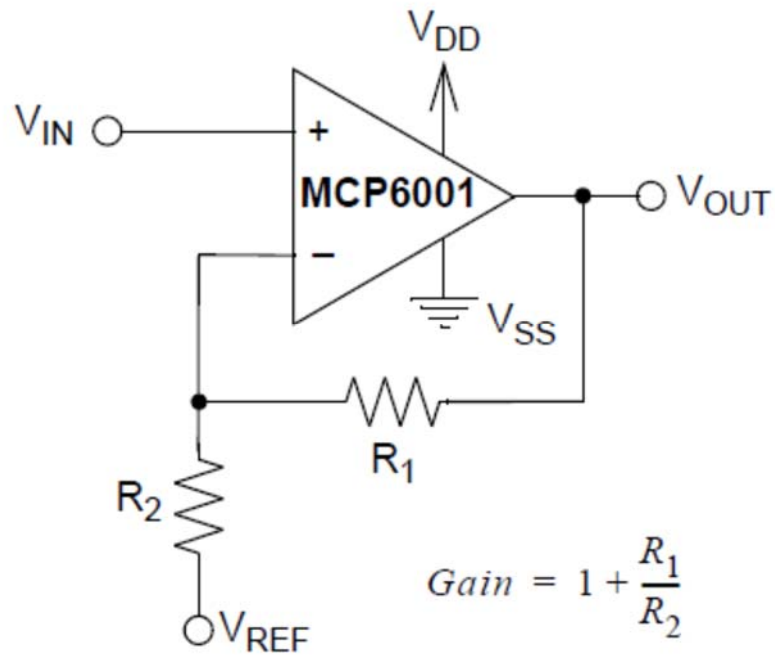
<sup>b</sup>School of Chemistry, The University of New South Wales, Sydney, NSW 2052, Australia

<sup>c</sup>Australian Centre for NanoMedicine, The University of New South Wales, Sydney, NSW 2052,  
Australia

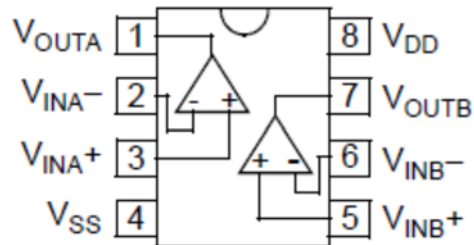
\*Corresponding Author

E-mail: [edith.chow@csiro.au](mailto:edith.chow@csiro.au)

Tel: +61-2-9413-7062



**Fig. S1** Circuitry of non-inverting operational amplifier for microchip MCP6001. Circuitry is the same for MCP6002.



**Fig. S2** Pin configuration for microchip MCP6002 non-inverting operational amplifier.